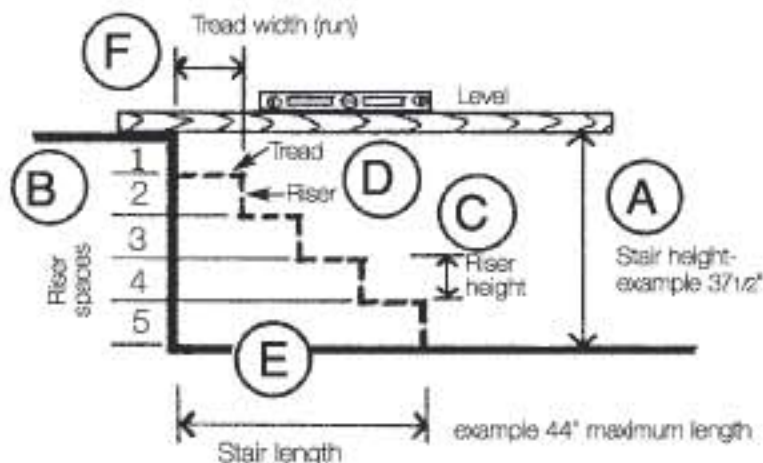


Let's get started...

First: Check your local building codes.

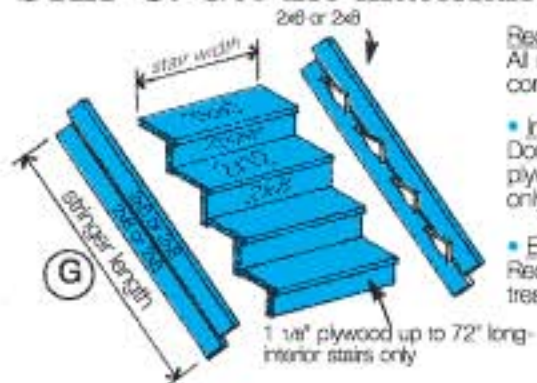
STEP 1: Measure



STEP 2: Calculate

Calculations	Example	Your Stair
A Star Height	Measured = 37 1/2"	
B Riser Spaces star height ÷ 7" (average)	$37\frac{1}{2} \div 7 = 5.35 = 5$	
C Riser Height star height ÷ riser spaces	$37\frac{1}{2} \div 5 = 7\frac{1}{2}"$	
D Treads & Risers (riser spaces) + 1	$5 + 1 = 4$	
E Stair Length	Measured = 44"	
F Tread Width (run) stair length ÷ treads	$\frac{44}{4} = 11"$	
G Stringer Length (treads x 14) + B	$(4 \times 14) + 8 = 64"$	

STEP 3: Get the materials



Recommended materials:
All materials must be No. 2 construction grade or better.

- Interior stairs:
Douglas Fir, Red Oak 1 1/8" plywood (risers and treads only up to 72' long)

- Exterior stairs:
Redwood, Cedar, Pressure treated lumber

1 1/8" plywood up to 72" long - interior stairs only

In addition, you will need screws (not included):

- 1 1/4" #8 Phillips flathead screws - 34 screws per tread
- 2 1/2" #8 deck screws - 2 per tread for each 9" of stair width
- Top screwing of treads only: 2" #12 galvanized sheet metal screws - 6 per tread
- Note: When using pressure treated lumber, all screws must be hot dipped galvanized.

STEP 4: Stair width/stringer support intervals

Note: For riser heights greater than 7 1/4" - use 2x10 risers.
Stringers must be supported along their length at certain intervals using walls or posts. These intervals vary according to stair width and stringer size.

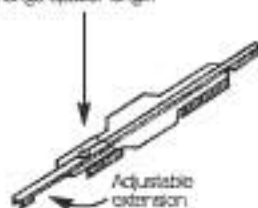
Stringer Support Intervals

stair width	interior stair	exterior stair	stringer size
36"	103"	92"	2- 2 x 6
48"	89"	79"	2- 2 x 6
60"	79"	71"	2- 2 x 6
72"	72"	61"	2- 2 x 6
84"	85"	66"	2- 2 x 8
96"	79"		2- 2 x 8
108"	70"		2- 2 x 8

STEP 5: Setting spacer length to change tread width.

The spacer has 13 length settings (marked "a" thru "m"). Each setting will change the tread width in relation to a riser height.

Adjusting screw set in holes "a" thru "m" to change spacer length



SPACER SETTING CHART

RISER HEIGHT	TREAD WIDTH												
	9"	9 1/2"	10"	10 1/2"	11"	11 1/2"	12"						
6"													
7"													
7 1/2"													
8"													
8 1/2"													
9"													
9 1/2"													
10"													
10 1/2"													
11"													
11 1/2"													
12"													

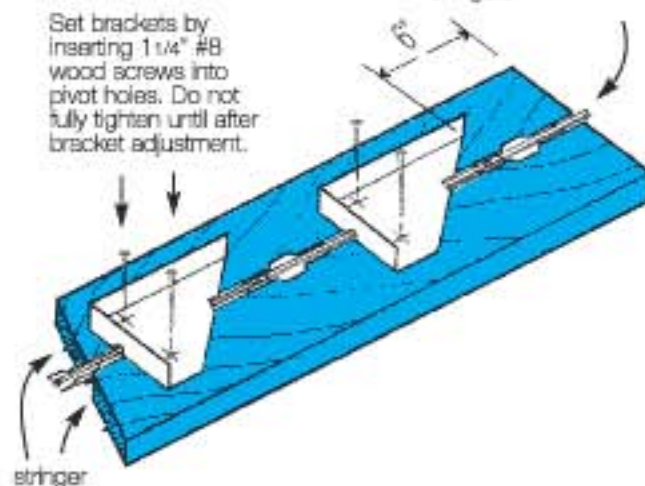
NOTE: Tread widths may vary slightly with riser adjustment. Check before being.

EXAMPLE: Find the setting for 7 1/2" rise and 11" tread. The 7 1/2" rise column crosses the 11" tread width column at "h" - set spacer for "h".

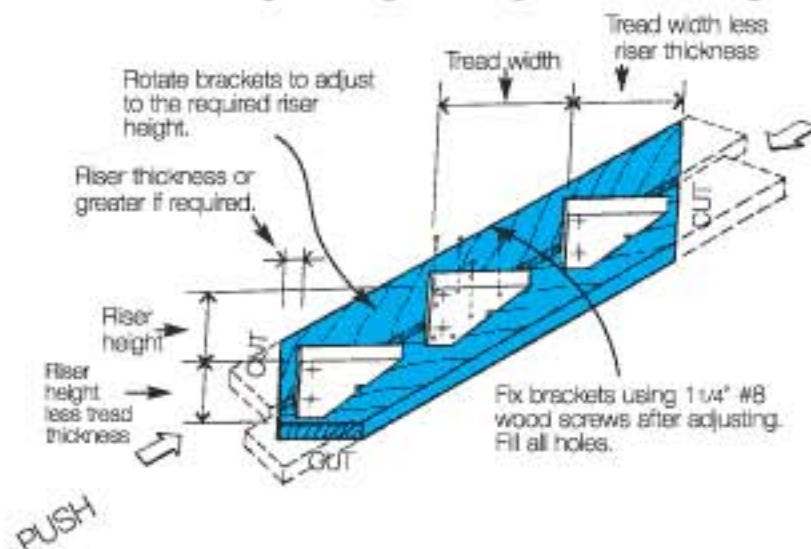
Set the stringers...

STEP 6: Setting the brackets

Insert spacers snugly to guarantee proper setting of brackets and to set gap between stringers.



STEP 7: Adjusting, fixing and cutting



ICC-ES Report Number: ER-6161
A copy is available online at www.ez-stairs.com