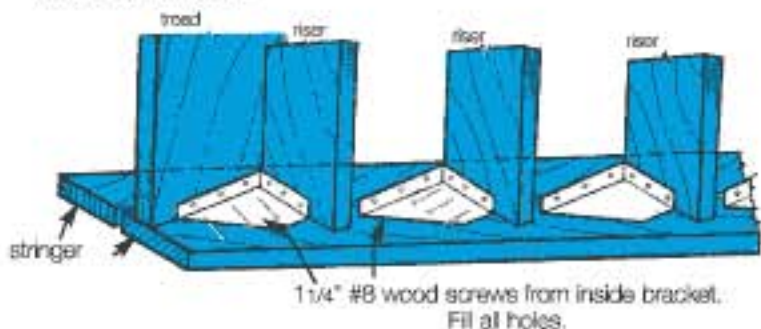


# Ready to build...

Next: Stair assembly-  
Stairs may be **A. Pre-assembled** or  
**B. Built in place.**

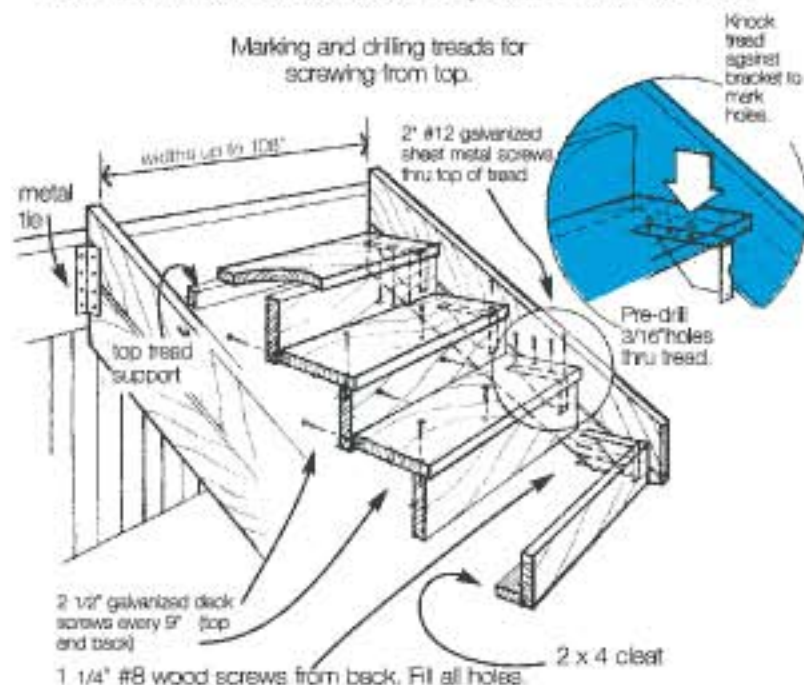
## A. Pre-assembled:

Place stringer on side and install all risers. Attach opposite stringer and install all treads.

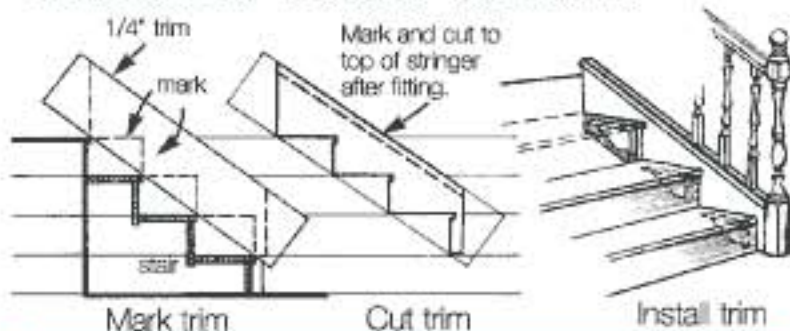


## B. Built in place:

Attach stringers and install all risers with screws from back. Install all treads with 2" #12 sheet metal screws thru pre-drilled holes in the tread.



# Interior stair trim...



## Concrete formwork fast • accurate • REUSABLE

THE BRACKETS DO THE WORK.

**1**

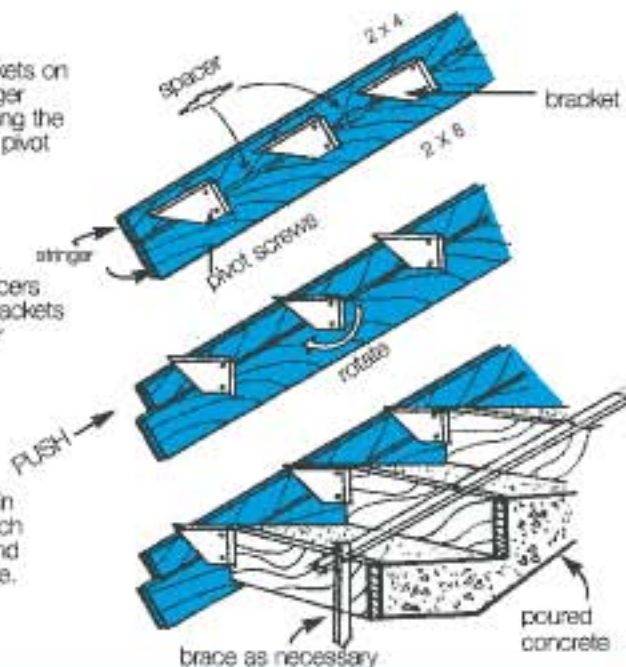
Set the brackets on the two stringer members using the spacers and pivot screws.

**2**

Remove spacers and rotate brackets to adjust stair

**3**

Fix brackets in position, attach riser forms and pour concrete.



**EZ Stairs** inc. introduces a  
*revolutionary* new design  
that makes stair building  
faster, easier and stronger.

the secret.

## Adjustable Stair Brackets:

- interior stairs
- exterior stairs
- PLUS • concrete formwork

THE BRACKETS DO THE WORK.

**1**

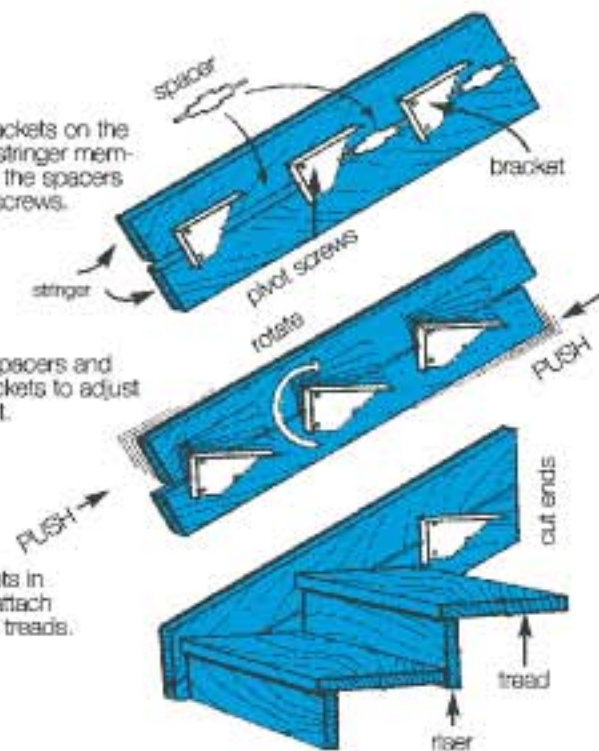
Set the brackets on the two 2 x 6 stringer members using the spacers and pivot screws.

**2**

Remove spacers and rotate brackets to adjust stair height.

**3**

Fix brackets in position, attach risers and treads.



The two outside stringers only are required for stair widths up to 9'0"-----  
THAT'S STRONG.

- You'll need one bracket set for each stair (tread):



2 brackets



1 spacer

Wood, screws or other materials are purchased separately.

See details inside.



**EZ Stairs** inc.  
27068 La Paz Road #263  
Aliso Viejo, CA 92656-3041  
www.ez-stairs.com

©2002 EZ STAIRS inc. All rights reserved